

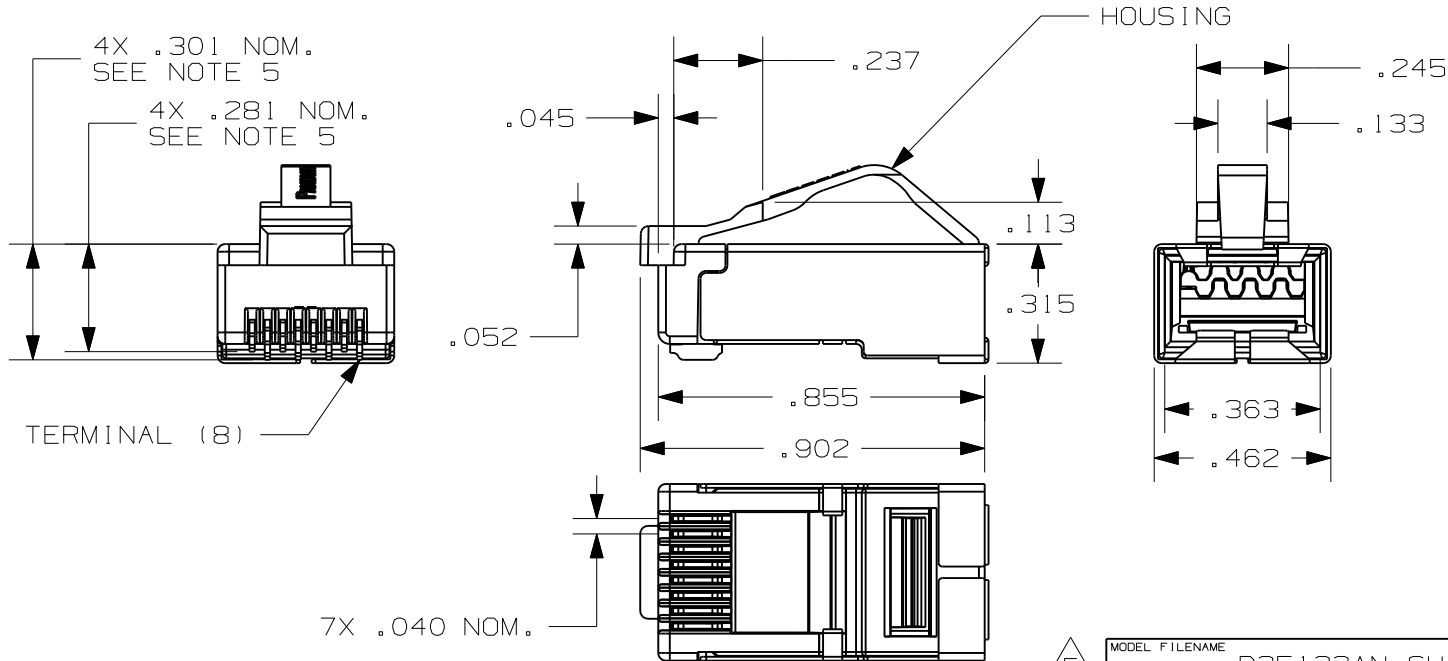
THIS COPY IS PROVIDED ON A RESTRICTED BASIS AND IS NOT TO BE USED IN ANY WAY DETRIMENTAL TO THE INTERESTS OF PANDUIT CORP.

PART NO.	PACKAGED	WEIGHT
MPS588-C	100/BAG	.55 LB/100 PCS (250 g/100 PCS)



NOTES:

1. PART NUMBER: SEE TABLE.
2. MATERIAL: HOUSING - THERMOPLASTIC UL94V-0 RATED; TERMINAL - PHOSPHOR BRONZE ELECTRO-POLISHED AND PLATED WITH .000050" MIN. GOLD IN MATING AREA, GOLD FLASH OVER REMAINDER, .000100" MIN. NICKEL UNDERPLATE. SHIELD - CATRIDGE BRASS WITH .000100"-.000250" OF NICKEL.
3. PLUG WILL ACCEPT 24-26 AWG STRANDED OR SOLID CONDUCTOR WITH MAXIMUM INSULATOR DIAMETER OF .040"
4. ALL DIMENSIONS MAXIMUM UNLESS OTHERWISE SPECIFIED.
5. TERMINATED CONTACT HEIGHT: $.237 \pm .005$ ".



MODEL FILENAME	D35123AN_SHIELDED_PAN_PLUG_02	SIZE	A
DRAWING FILENAME	D35123AN_DC19_02B		
TITLE	SHIELDED PAN-PLUG HIGH PERFORMANCE MODULAR PLUG CUSTOMER DRAWING		

REV	DATE	BY	CHK	DESCRIPTION	ECN	R	CUST	SUP	OTH
04	8-7-07	BJN	EJH	H. NOTE 5: CONTACT HT WAS DIMENSIONS G. NOTE 3: 24-26 AWG WAS 24 AWG F. REMVD P/N MPS588-X	35123-19		REGA		
03	7-24-07	BJN	EJH	E. UPDATED MODEL TO REV 02	35123-19		REGA		
02	5-24-02	MDJr	KLR	D. SHIELD MATL WAS BRASS W/TIN PLT C. ADDED WEIGHT TO CHART.	35123-19				
01	9-25-01	LZ	RAV	B. UPDATED DWG TO CURRENT STANDARDS A. IN NOTE 2 SHIELD WAS NICKEL	35123-19				
R	11-14-00	LZ	RAV	RELEASED TO PRODUCTION	35123-19	BAGO	KMFA		

PANDUIT ™ CORP. TINLEY PARK, ILL 60477	I.T. NUMBER
	PRODUCT SPEC
THIRD ANGLE PROJECTION	WORK INSTRUCTION
	SCALE 1 TO 1
DRAWN BY LZ	PART NO. MPS588 - *
DATE 11-14-00	DRAWING NO. 35123-19
CHK'D RAV	

ALL DIMENSIONS ARE GIVEN IN INCHES, UNLESS OTHERWISE SPECIFIED.
DIMENSIONAL TOLERANCES ARE:
(.X) ±N/A (.XXX) ±N/A
(.XX) ±N/A ANGLES ±N/A

MATERIAL
SEE NOTES